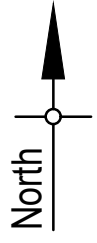
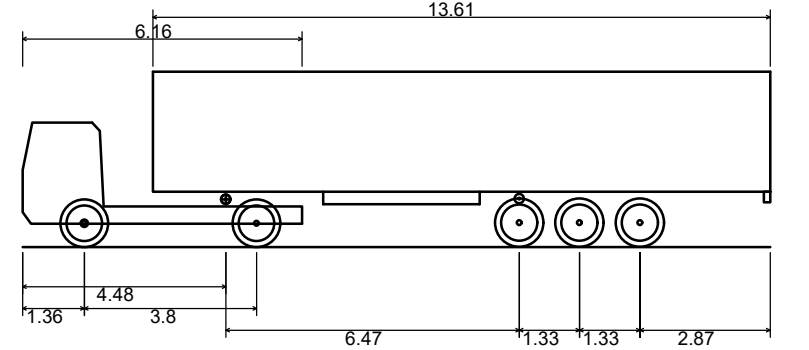


Do not scale from this drawing.



ORDNANCE SURVEY  
NORTH



FTA Design Articulated Vehicle (1998)	
Overall Length	16.480m
Overall Width	2.550m
Overall Body Height	3.870m
Min Body Ground Clearance	0.515m
Max Track Width	2.470m
Lock to lock time	3.00s
Kerb to Kerb Turning Radius	6.550m



Rev.	Date	Description	Drawn	Chkd.	Appd.
<p><b>FAIRHURST</b></p> <p>225 Bath Street GLASGOW G2 4GZ</p> <p>Tel: 0141 204 8800 Fax: 0141 204 8801</p>					
<p>Project Title: <b>CRAIGFORTH CAMPUS, STIRLING</b></p>					
<p>Drawing Title: <b>PROPOSED A84 SLIP ROAD LAYOUT VEHICLE TRACKING – ARTIC SHEET 1</b></p>					
Scale of A1: 1:500			Status: Planning		
Drawn: MM		Checked:		Approved:	
Date: 18/06/20		Date:		Date:	
Drawing No.: 120369/7022					Revision: -