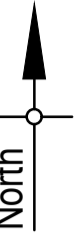
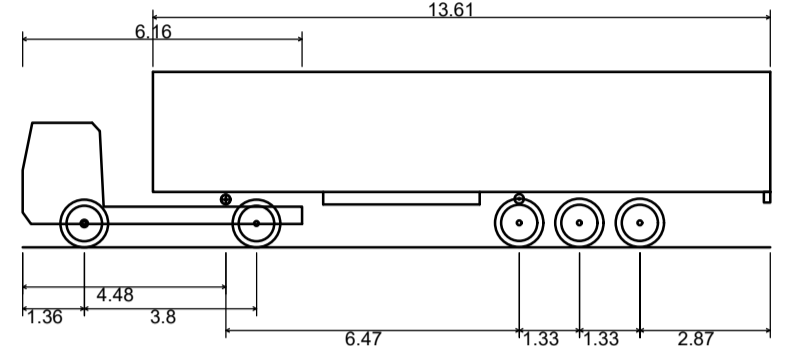


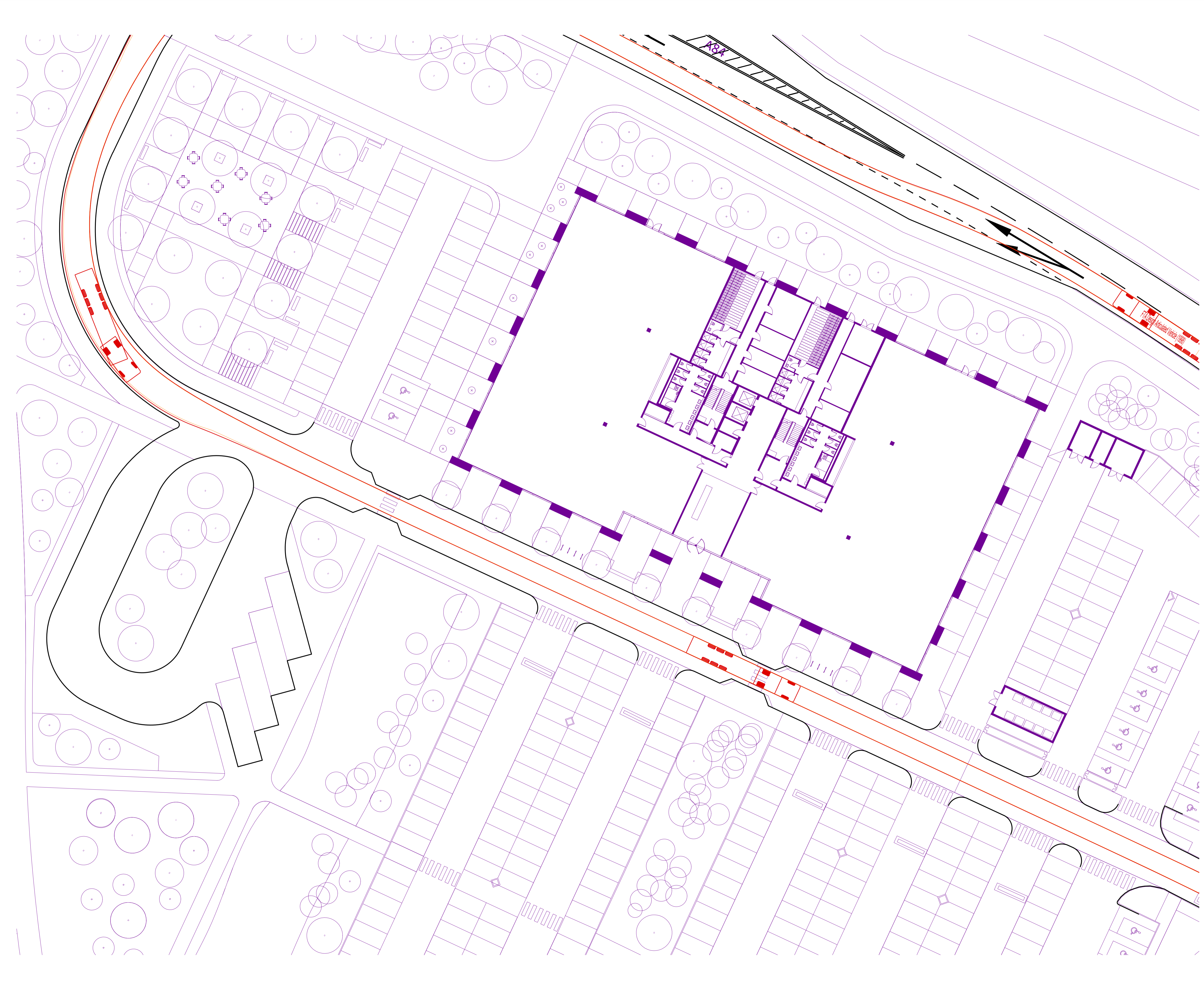
Do not scale from this drawing.



ORDNANCE SURVEY
NORTH



FTA Design Articulated Vehicle (1998)	
Overall Length	16.480m
Overall Width	2.550m
Overall Body Height	3.870m
Min Body Ground Clearance	0.515m
Max Track Width	2.470m
Lock to lock time	3.00s
Kerb to Kerb Turning Radius	6.550m



Rev.	Date	Description	Drawn	Chkd.	Appd.
------	------	-------------	-------	-------	-------

FAIRHURST

225 Bath Street
GLASGOW
G2 4GZ
Tel: 0141 204 8800
Fax: 0141 204 8801

Project Title:
CRAIGFORTH CAMPUS, STIRLING

Drawing Title:
**PROPOSED A84 SLIP ROAD
LAYOUT
VEHICLE TRACKING – ARTIC
SHEET 2**

Scale of A1: 1:500	Status: Planning
Drawn: MM	Checked: Approved:
Date: 08/07/20	Date: Date:

Drawing No.: 120369/7024 Revision: -