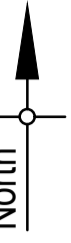
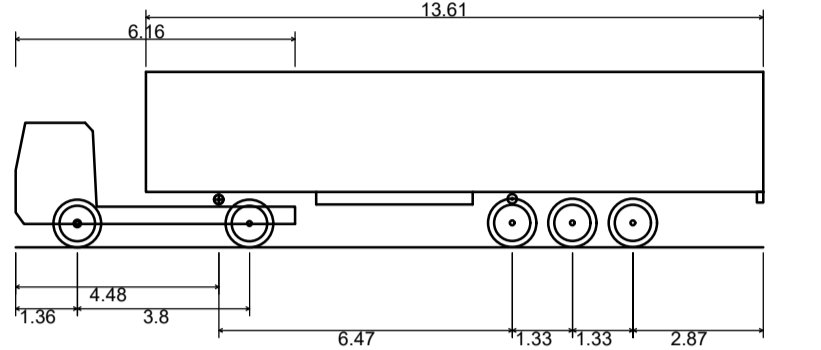


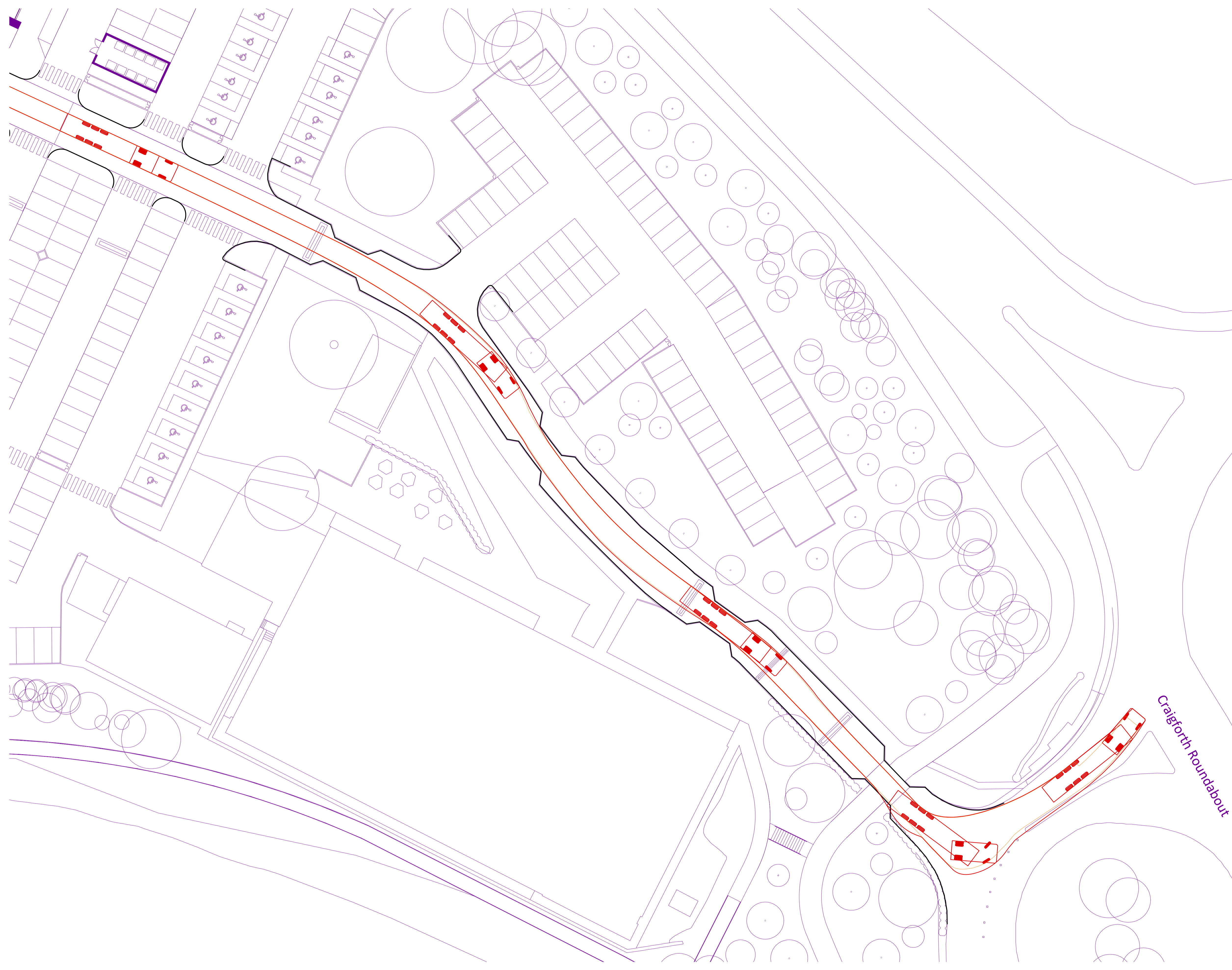
Do not scale from this drawing.



ORDNANCE SURVEY
NORTH



FTA Design Articulated Vehicle (1998)	
Overall Length	16.480m
Overall Width	2.550m
Overall Body Height	3.870m
Min Body Ground Clearance	0.515m
Max Track Width	2.470m
Lock to lock time	3.00s
Kerb to Kerb Turning Radius	6.550m



Craigforth Roundabout

Rev.	Date	Description	Drawn	Chkd.	Appd.
FAIRHURST					
225 Bath Street GLASGOW G2 4GZ Tel: 0141 204 8800 Fax: 0141 204 8801					
Project Title: CRAIGFORTH CAMPUS, STIRLING					
Drawing Title: PROPOSED A84 SLIP ROAD LAYOUT VEHICLE TRACKING – ARTIC SHEET 3					
Scale of A1: 1:500			Status: Planning		
Drawn: MM		Checked:		Approved:	
Date: 08/07/20		Date:		Date:	
Drawing No.: 120369/7026					Revision: -